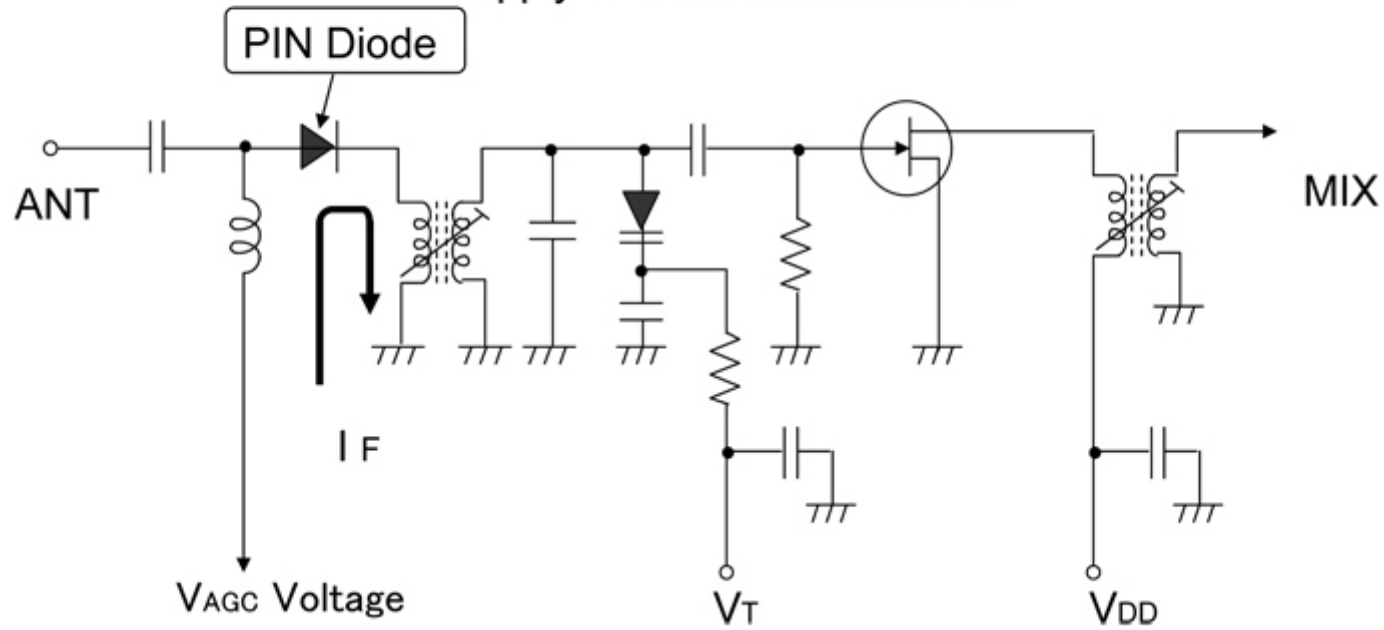


Litec Application Note LP1112A

Applications I : AGC Circuit

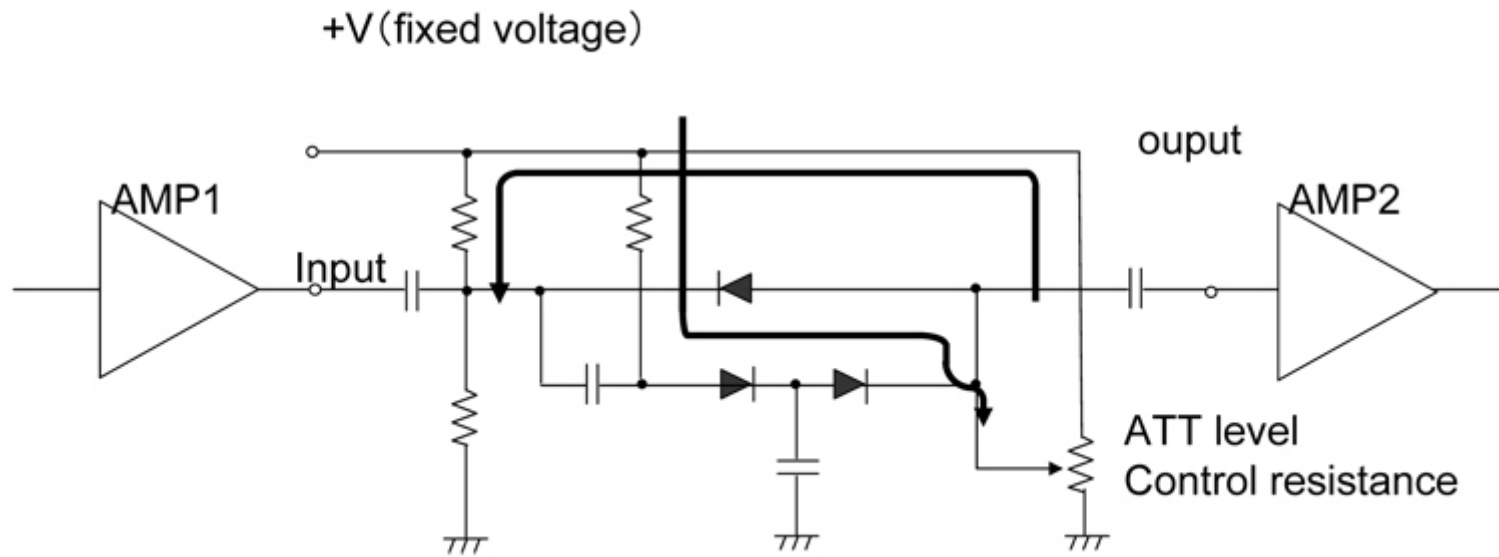
~ Apply to FM tuner in vehicles ~



Litec Application Note LP1112A

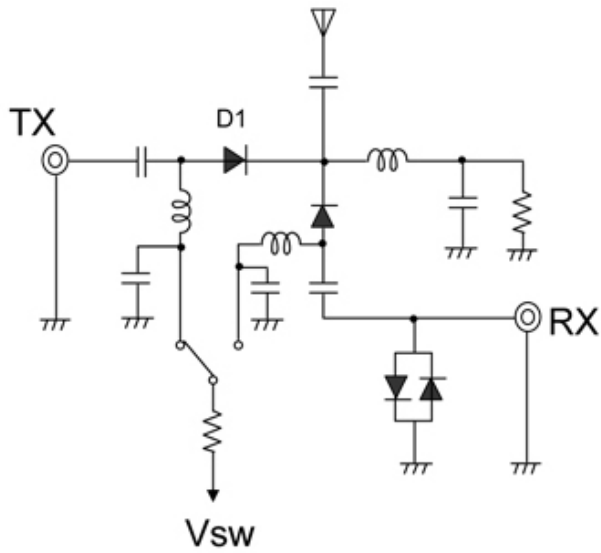
Applications II : Attenuator

~ Apply to  $\pi$  attenuator ~

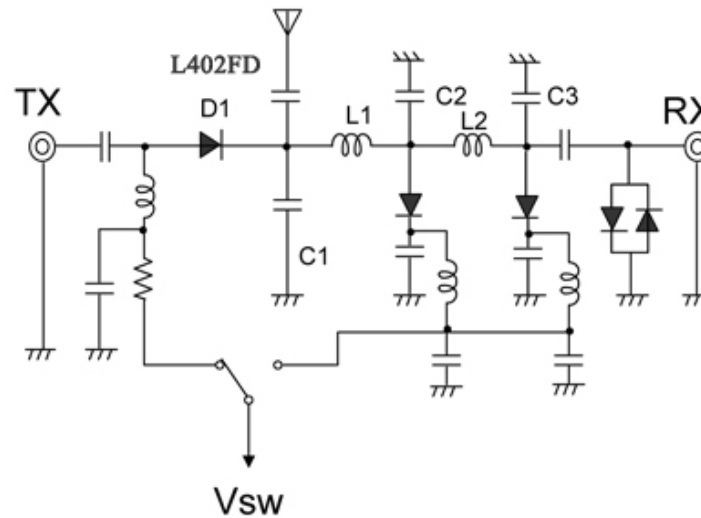


Litec Application Note LP1112A

Applications III : RF input/output switching



~ Inline Switching ~



~ λ/4 Switching ~

	C1	C2	C3	L1,L2
50MHz	45pF	90pF	35pF	230nH
144MHz	15pF	22pF	4pF	75nH
220MHz	8pF	15pF	3pF	50nH
440MHz	2pF	5pF	2pF	25nH